



29 rue du 14 juillet  
67980 - Hangenbieten  
FRANCE  
Tel. : +33 3 88 48 53 00  
[www.soframe.com](http://www.soframe.com)

DEFENCE



© SOFRAME - 05/2022 - D15373A - GB - Non-contractual photos - All descriptions and characteristics are indicative and non-binding.

# OUTFIELDER

Light Rapid  
Intervention Vehicle



DEFENCE

EN

# OUTFIELDER



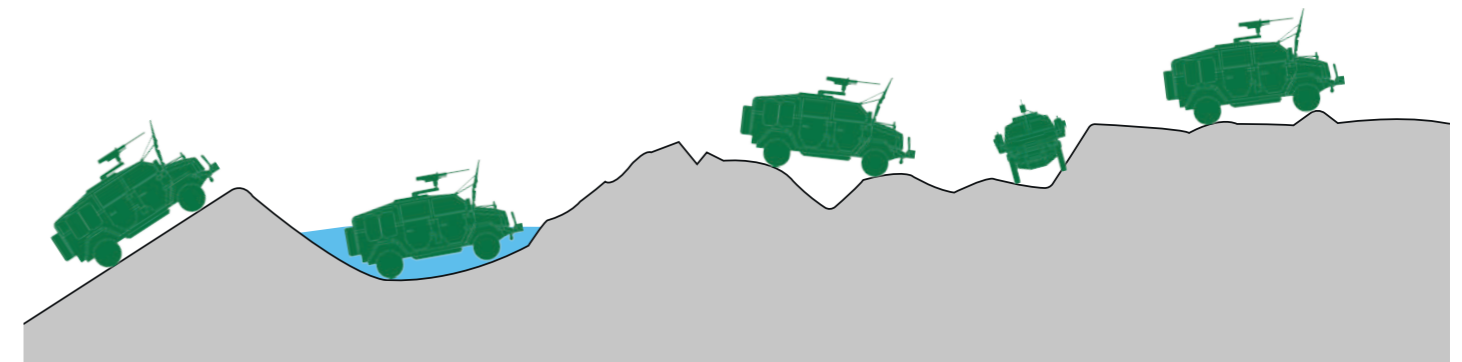
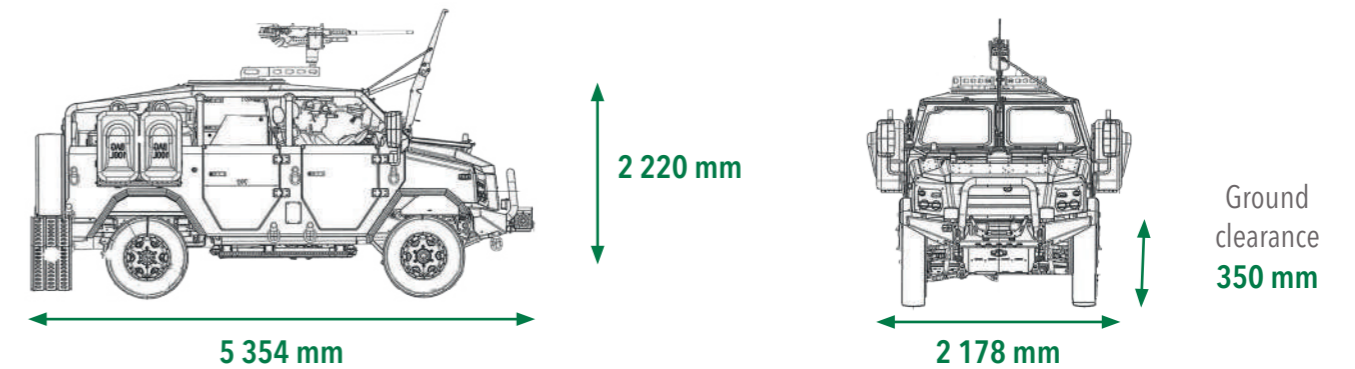
The **light-weight, fast, agile** **OUTFIELDER** is a 4x4 rapid intervention vehicle specifically designed for **special forces**, particularly for intelligence and infiltration operations.

**It is easy to deploy, can be air-lifted** without any specific preparation and is at **ease on all types of terrains**. Its internal design can be adapted to numerous configurations. Its ballistic protection can be increased by the addition of kits.

It has additional water and fuel tanks to **increase its range**.

Its easy-to-use **self-haulage winch is an advantage**. It can be mounted in front or behind depending on the situation.

## Technical characteristics



Slope  
**60 %**

Fording  
**500 mm**

Trench  
**700 mm**

Side Slope  
**30 %**

Step  
**250 mm**



Mine protection: level 1



Engine: 150 kW (200 hp)



Gearbox: Automatic



GVWR: 5.5 t



Maximum speed: 120 km/h



Range: 900 km



Turning radius: 7 m



Crew: 4 people