



29 rue du 14 juillet
67980 - Hangenbieten
FRANCE
Tel. : +33 3 88 48 53 00
www.soframe.com

SECURITY



© SOFRAME - 072023 - 0190018A - All rights reserved. This document is the exclusive property of our company. All descriptions, specifications and characteristics are given for information only and do not represent a commitment of any kind. Non contractual photos.

APCL

Armoured Personal Carrier Light

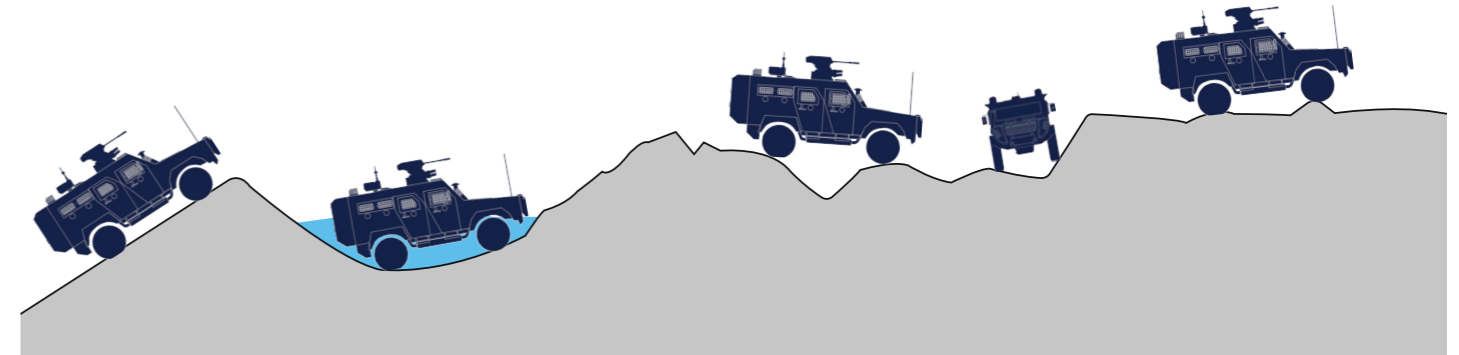
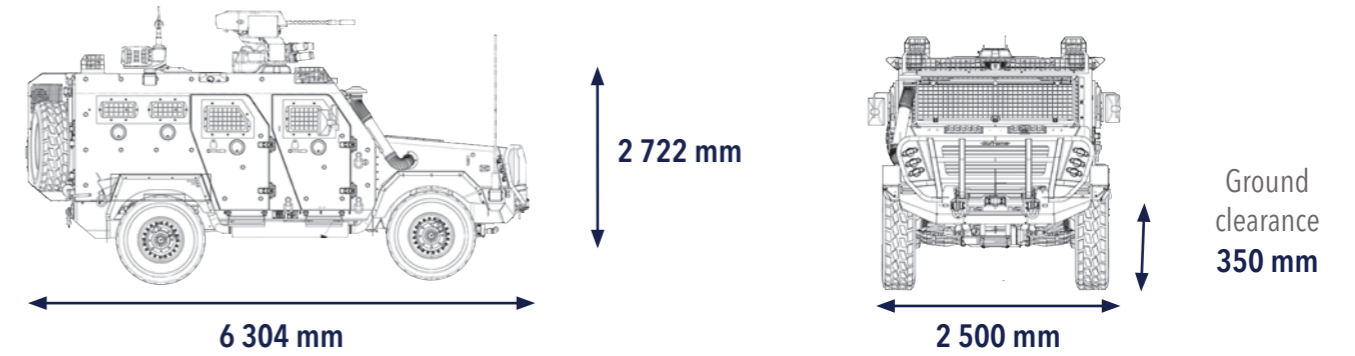


SECURITY

EN



Technical characteristics



Slope 60 % Fording 600 mm Trench 900 mm Side Slope 30 % Step 400 mm

The APCL (Armoured Personal Carrier Light) has a STANAG-certified **armoured structure** ensuring the **safe movement and comfort** of 8 people.

The vehicle is designed to be equipped with **mission systems controlled** from inside the vehicle.

It has a GVWR of 12 tons and permanent all-wheel drive.

Its 6-cylinder engine delivers torque of 970 Nm and generates 210 kW (285 hp) for a steady speed of 110 km/h.

Its independent suspension **provides greater comfort, better traction, improved safety and stability both on- and off-road at low or high speed.**

It can also be given a rear steering axle to optimise road handling and facilitate low-speed **manoeuvrability**, particularly in entangled or unstructured spaces.

-  Protection: level 1 to 3
-  Engine: 210 kW (285 hp)
-  Gearbox: Automatic
-  GVWR: 12 t
-  Maximum speed: 110 km/h
-  Range: 600 km
-  Turning radius: 6.5 m
-  Crew: 8 people