



29 rue du 14 juillet  
67980 - Hangenbieten  
FRANCE  
Tel. : +33 3 88 48 53 00  
[www.soframe.com](http://www.soframe.com)

DEFENCE



© SOFRAME - 072023-D19017A - All rights reserved. This document is the exclusive property of our company. All descriptions, specifications and characteristics are given for information only and do not represent a commitment of any kind. Non contractual photos.

# APCL

## Armoured Personal Carrier Light Vehicle

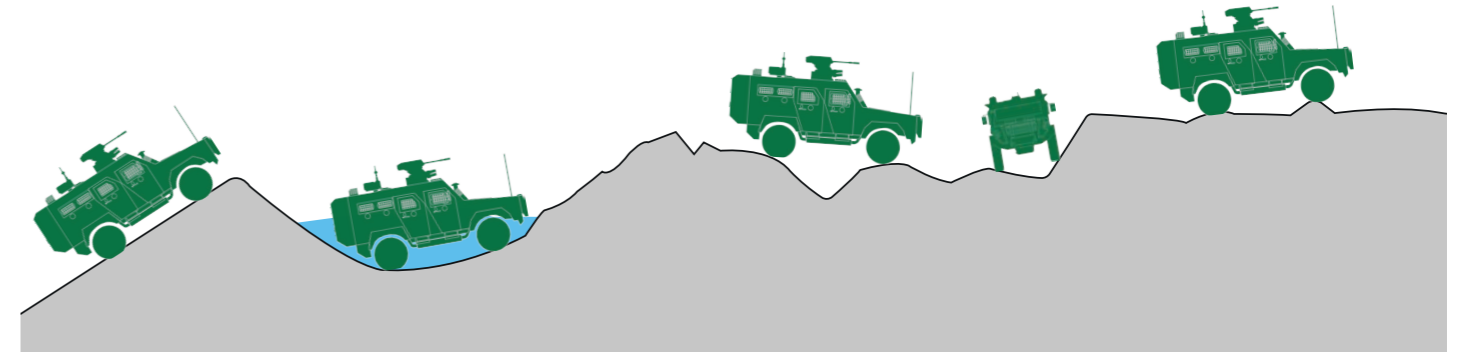
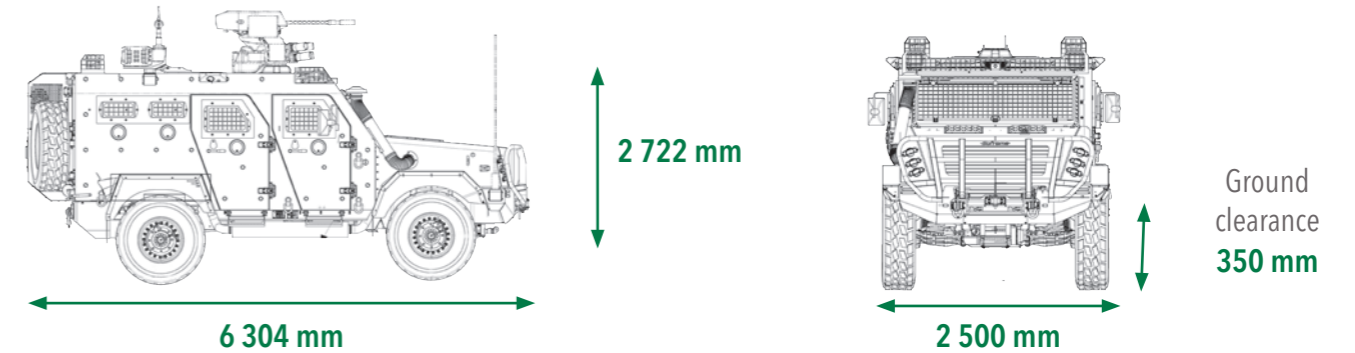


DEFENCE

EN



## Technical characteristics



Slope  
**60 %**

Fording  
**750 mm**

Trench  
**900 mm**

Side Sloope  
**30 %**

Step  
**400 mm**

The **APCL** is a **protected rapid intervention** vehicle designed to operate in **extremely entangled areas and very varied terrains**. Its long range and all-terrain capability make it an extremely versatile vehicle.

It is a 4x4 military vehicle with a STANAG-certified armoured structure ensuring security and comfort for up to 8 people. The armour is **adaptable** to the required level of protection and can be increased.

Its independent suspension provides greater **comfort, better traction, improved safety and stability** both on- and off-road at low or high speed.



Protection: level 1 to 3



Engine: 210 kW (285 hp)



Gearbox: Automatic



GVWR: 12 t



Maximum speed: 110 km/h



Range: 600 km



Turning radius: 6.5 m



Crew: 8 people

An RCWS can be mounted on the vehicle and it can be equipped with a wide variety of mission equipment.