



29 rue du 14 juillet
67980 - Hangenbieten
FRANCE
Tel. : +33 3 88 48 53 00
www.soframe.com

DEFENSE



© SOFRAME - 042024 - D1372C - All rights reserved. This document is the exclusive property of our company. All descriptions, specifications and characteristics are given for information only and do not represent a commitment of any kind. Non contractual photos.

ARIVE

Armoured Infantry Vehicle

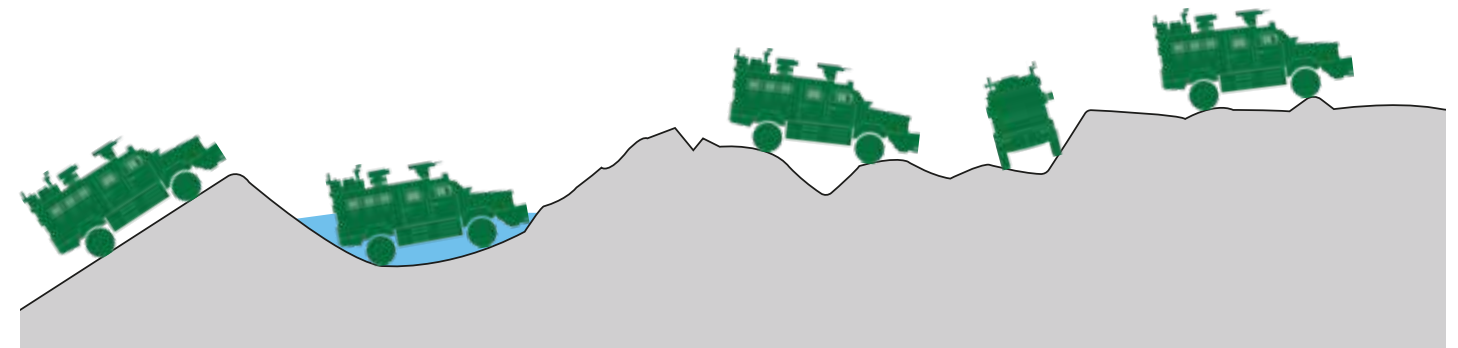
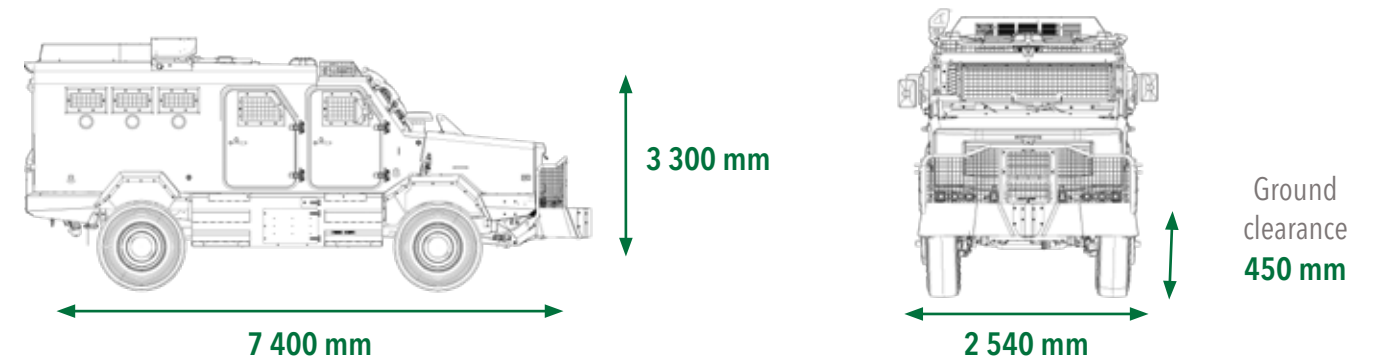


DEFENSE

EN



Technical characteristics



ARIVE is a multi-purpose protected vehicle designed to carry an infantry combat group.

Protected against explosive devices and direct fire from infantry weapons as standard, its **spacious** design and **useful load capability** mean it can be used for long-term deployment in areas of insecurity.

Its habitability also means its interior design can be customised according to need, e.g. **command post, C4I processing relay, medical evacuation vehicle.**

Typically positioned on the MRAP (Mine Resistant Ambush Protected) segment, **ARIVE** covers a **vast panel of missions** ranging from infantry unit movements in combat zones to area control and counter-insurgency.

Its design enables to ford depths of 1.2 meters and clear routes blocked with obstacles.

Slope
60 %

Fording
600 mm

Trench
900 mm

Side Slope
30 %

Step
400 mm



Protection: level 2



Engine: 240 kW (330 hp)



Gearbox: Automatic



GVWR: 14.5 t



Maximum speed: 110 km/h



Range: 800 km



Turning radius: 8.5 m



Crew: 10 people + 2 crew

Around **2,000 ARIVE** vehicles are currently in active service. Its **robustness, mobility capabilities and reliability** have made it a benchmark vehicle.