



29 rue du 14 juillet  
67980 - Hangenbieten  
FRANCE  
Tel. : +33 3 88 48 53 00  
[www.soframe.com](http://www.soframe.com)

DEFENCE



© SOFRAME - 072023 - 019377 - All rights reserved. This document is the exclusive property of our company. All descriptions, specifications and characteristics are given for information only and do not represent a commitment of any kind. Non contractual photos.

# SAKHAR

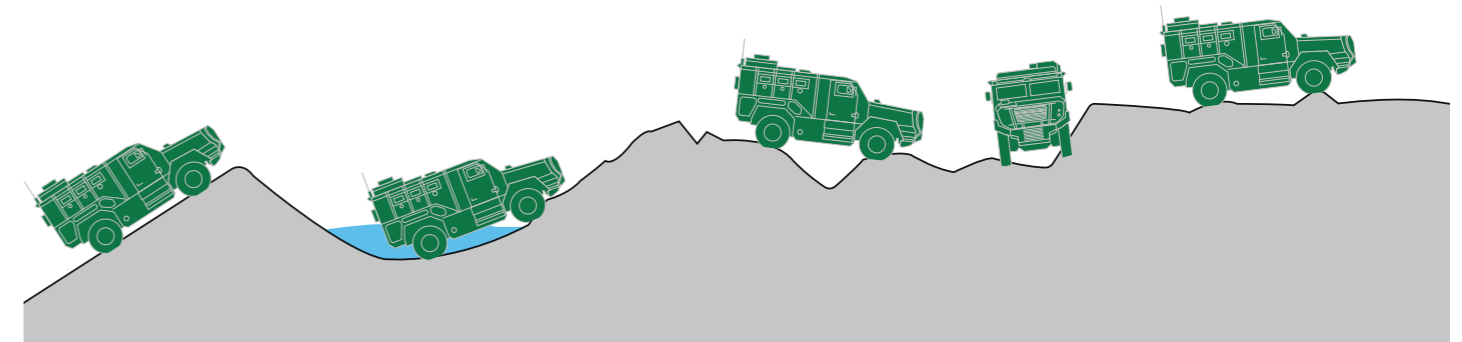
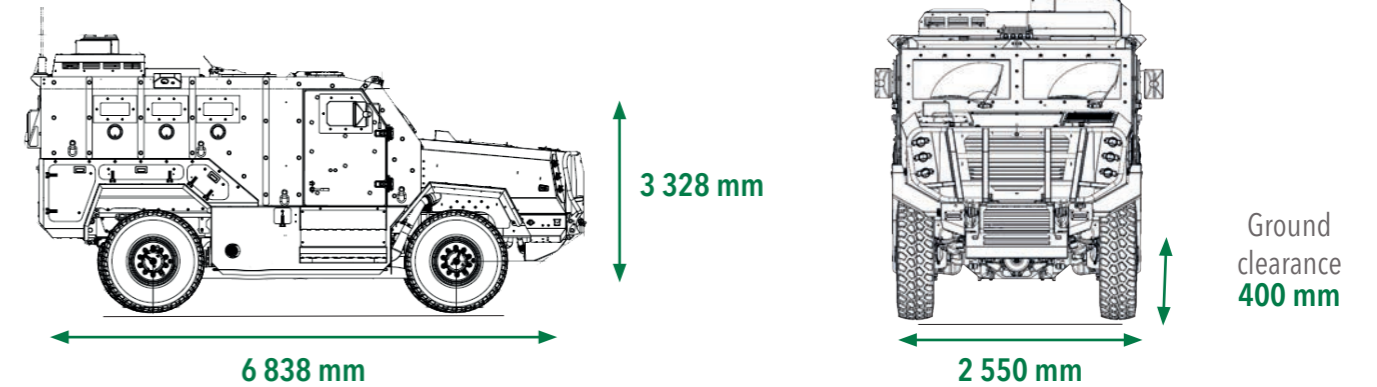
Mine Resistant  
Ambush Protected



DEFENCE



## Technical characteristics



Slope **60 %**      Fording **800 mm**      Trench **900 mm**      Side Slope **30 %**      Step **400 mm**

**Balance between firepower and high survivability** the SAKHAR, military vehicle, easy to use, designed to carry out operations in all theatres, thanks to its high road capabilities.

Its long range of action and **road capabilities** make it an extremely versatile vehicle. Its main area of use is the **safe transport of personnel in crisis and combat areas**.

The powerful, high-torque engine, combined with the automatic gearbox, means it can be used for any type of mission (command, liaison, police, special forces, patrol, etc.).

The SAKHAR offers high payload capacity, interior volume and **modularity**. For transporting highly mobile troops, it can carry up to 10 people.

The main advantage of this vehicle is its **versatility**. The SAKHAR's modular protection system is qualified, upgradeable and interchangeable depending on the type of threat.

**High system availability, low life-cycle costs** and **ease of maintenance** are other SAKHAR qualities.



Protection: level 4



Engine: 276 kW (375 cv)



Gearbox: Automatic



GVWR: 19 t



Maximum speed: 110 km/h



Range: 600 km



Turning radius: 8 m



Crew: 10 people